

Fig. 4a. Jamb Flashing (Method 'A')

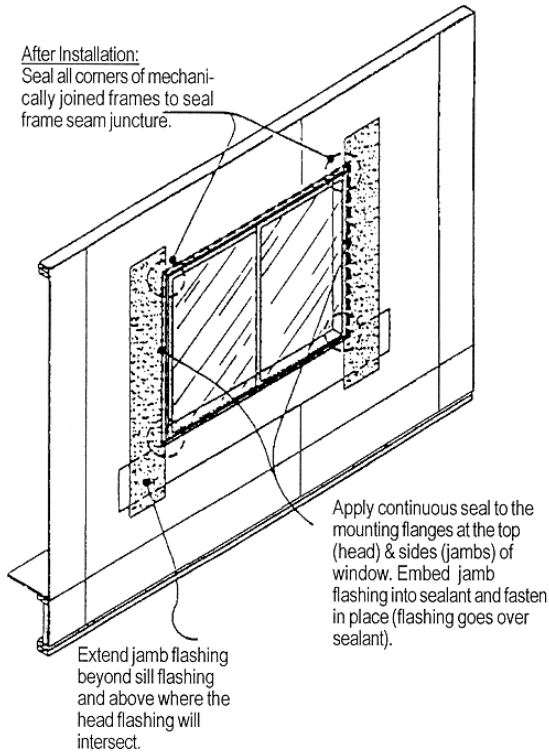


Fig. 4b. Window Installation (Method 'B')

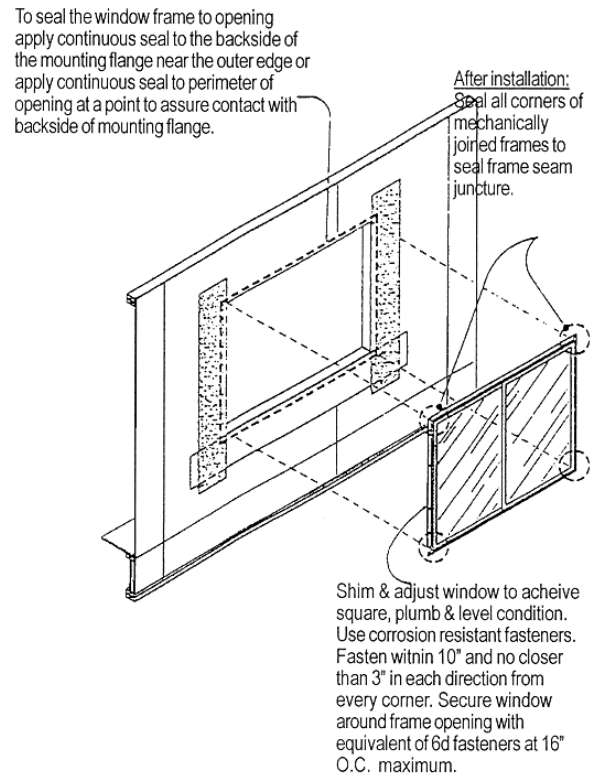


Fig. 5. Head Flashing

Method A

Embed bottom of the head flashing against the previously applied sealant. (Flashing goes over sealant.) Extend head flashing beyond each jamb flashing. Fasten in place.

Method B

Apply continuous seal along top (head) mounting flange. Embed bottom of head flashing against sealant (flashing goes over sealant), extend head flashing beyond each jamb flashing. Fasten in place.

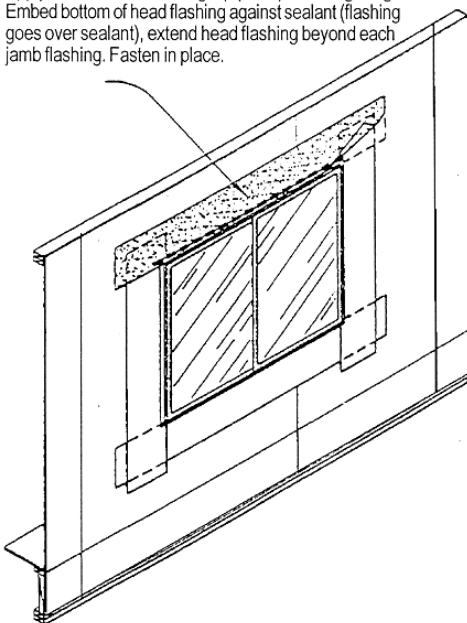


Fig. 6. Primary Weather Barrier Application by Others

Where recommended as part of exterior wall finish system install building paper apply weatherboard fashion starting from bottom to top of sill.

By other trades

Install building paper insulation board or other materials over head flashing and over top of narrow head flange of window frame.

